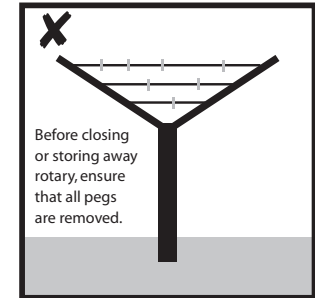
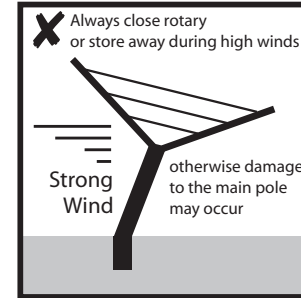
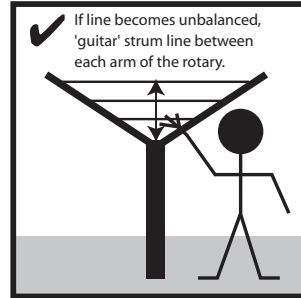
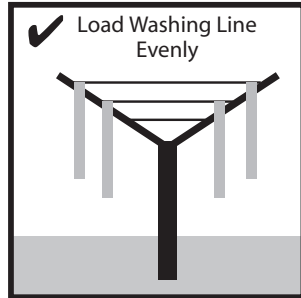
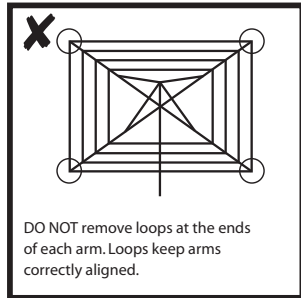
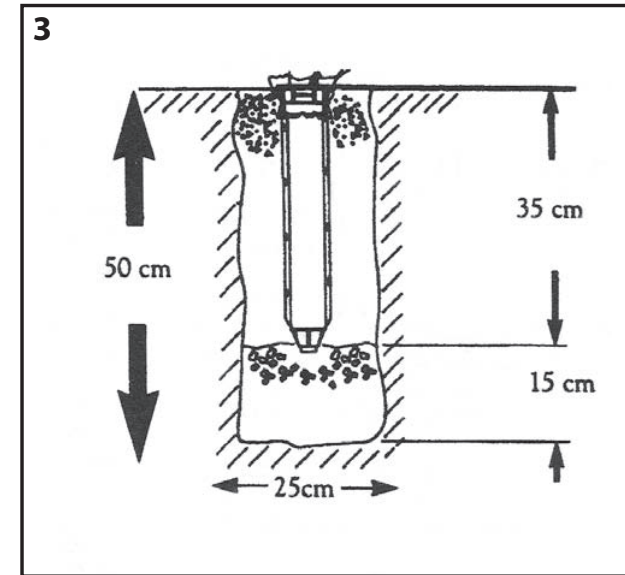
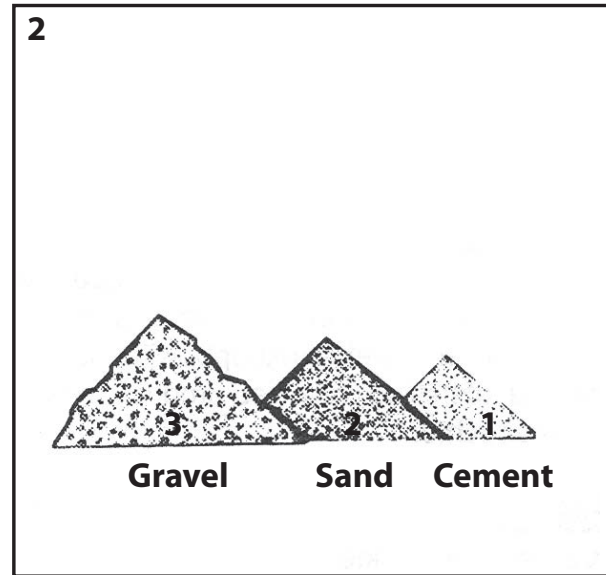
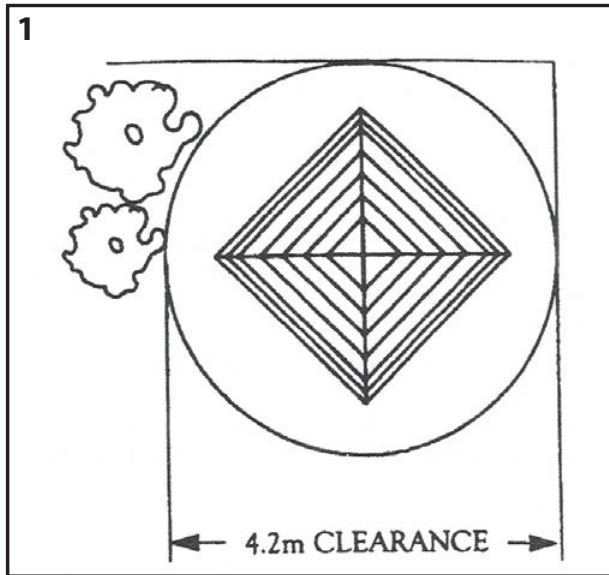


Supadry Hoist – User Guidelines

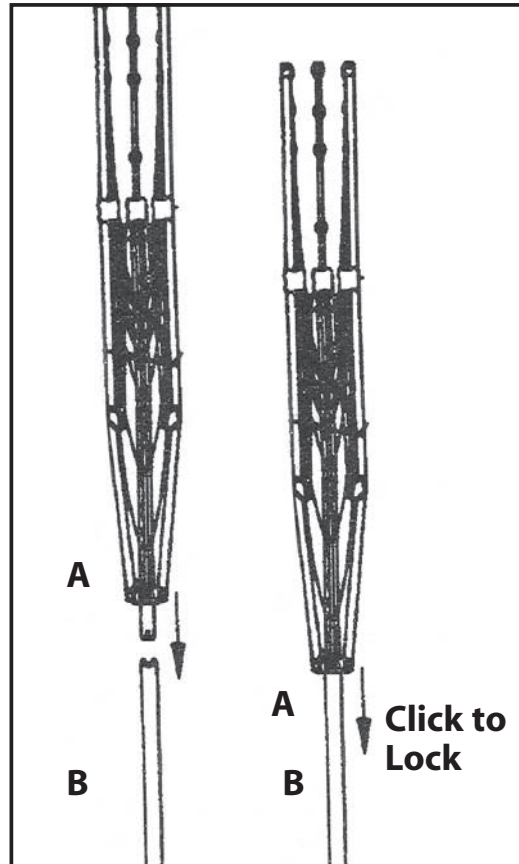


INSTALLATION



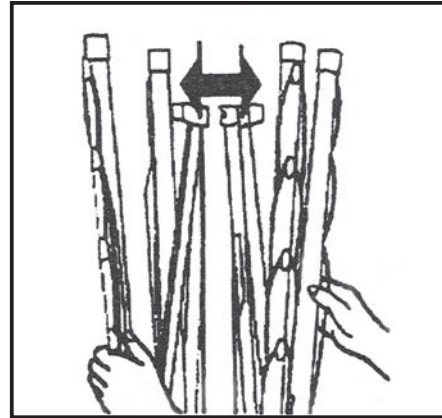
1. Locate a suitable place. The dryer must be able to rotate freely.
2. Mix concrete of a fairly dry texture in the proportions as shown. Prior to placing concrete fill 15cm gravel in the hold. Part fill the hole with the mix carefully holding socket in position. The top of the ground socket should be max. 6mm above ground level.
Note: take care to keep concrete out of the locking recess in the ground socket. Plastic sleeve protects top socket during concrete filling.
3. Place the drier in the socket. Hold the dryer and its socket vertically while filling the rest of the hole with concrete. Gently remove the dryer ensuring the socket is level. Finish with fine cement.
Allow the concrete to dry and harden for a couple of days.

ASSEMBLY

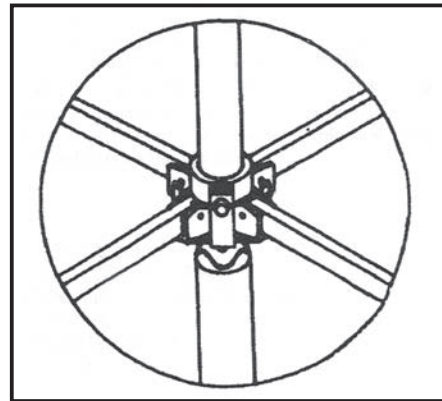


1. Place head assembly A into the main standard B until it stops.
2. Push down to lock into position. A click indicates locking. If there is no "click" raise the head assembly by 10cm, turn handle clockwise and push down to lock into position again.

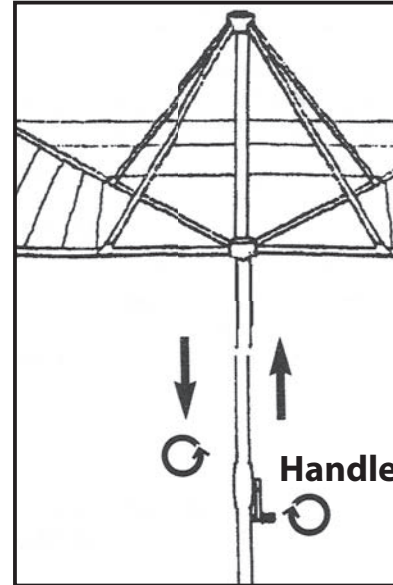
OPENING AND CLOSING



1. Release arms manually from the bracket (top cross).



2. Push the bottom cross upwards until the lock engages. Ensure lines are tangle free.

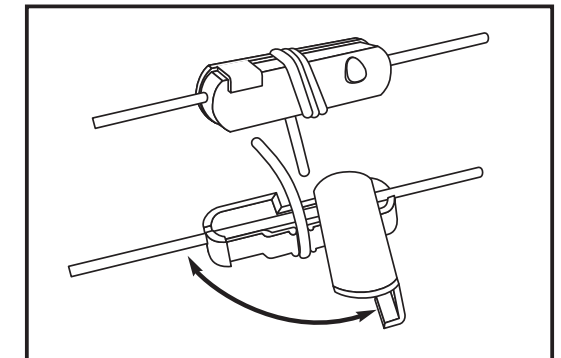


3. Use the handle to raise the opened arms into the air.
4. To close release the lock by pressing the clip. Place your hands on the arms each side of the bottom cross and pull downwards.

OPERATION

1. Commence hanging the washing on the inside clothes line and work your way outwards.
2. To disengage the breeze brake, wind up handle at least 6 full turns.
3. For faster drying, elevate the dryer fully to catch the breeze. The rotating action of the dryer gives natural spin drying to your washing.

LINE TENSIONING



1. Slide to the left to open
2. Unwrap the line and pull to the right to the required tension
3. Wrap line back around the device and slide lid to the right to close.
4. Cut off excess line where appropriate.

MAINTENANCE TIPS

Apply a small amount of oil to the handle twice a year. Wipe away any oil which may remain on the surface. Do not use aerosol/penetrating tube lubricants.

Customer Careline
0345 7697356

Freudenberg Household Products LP, Vileda House,
2 Chichester Street, Rochdale, Lancs. OL16 2AX